

DATA SHEET

PM-1223A-R

LED stop/position/indicator light

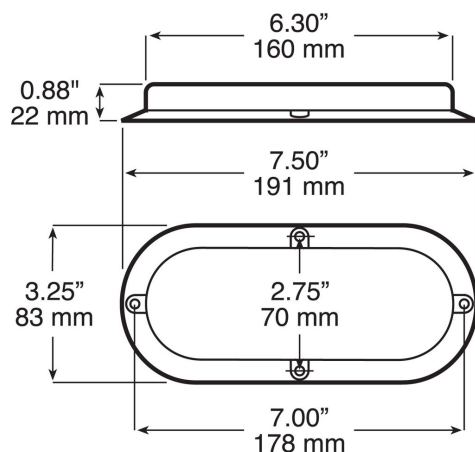


Images



Shown with B423-11 chrome bezel

Dimensions



Specifications

- Functions:** LED stop/position & indicator light
- LEDs:** 20 x diodes:
 - 12 x red - position & stop
 - 8 x amber - indicator
- Lens colour:** Clear
- Certifications:** ECE Reg 6 - direction indicator function
ECE Reg 7 - stop & position functions
- Dimensions:** 191mm x 83mm x 22mm
- Voltage:** Dual voltage 12/24V
- Operating range:** 9-32Vdc
- IP rating:** IP67
- Operating temperature:** -30°C to +50°C
- Mounting:** Surface mounts
Optional chrome bezel available: PM-B423-11
- Wiring:** 300mm cable terminated with partially-stripped wires
 - Red: stop
 - Black: rear position
 - Green/Yellow: direction indicator
 - White: ground
- Power rating:** Stop: 3.1W @ 12V / 3.6W @ 24V
Position: 0.4W @ 12V / 0.08W @ 24V
Indicator: 2.6W @ 12V / 3.1W @ 24V
- Average current draw:** Stop: 0.21A @ 12V / 0.13A @ 24V
Position: 0.02A @ 12V / 0.03A @ 24V
Indicator: 0.12A @ 12V / 0.08A @ 24V
- Reverse polarity protection:** Yes
- Warranty:** 3 years

Materials

- Lens:** PMMA-HI
- Base:** ABS

Part number

PM-1223A-R	Stop, position & indicator light
PM-B423-11	Chrome bezel

+44 (0) 1296 340045

sales@peterson europe.co.uk
sales@peterson europe.eu

peterson europe.com
peterson europe.eu

