

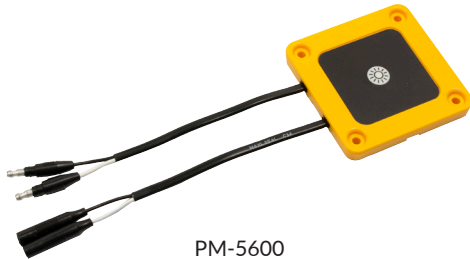
# DATA SHEET

PM-5600

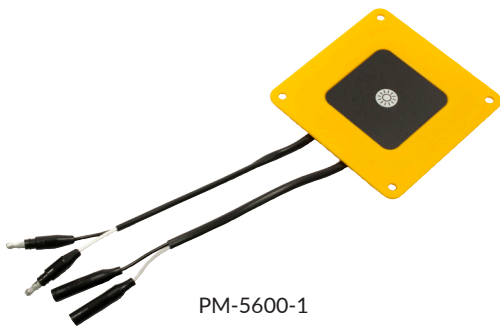
Timer box switch



## Images



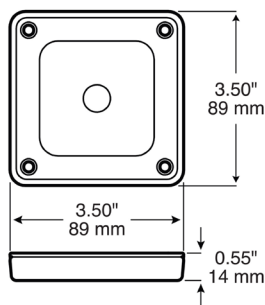
PM-5600



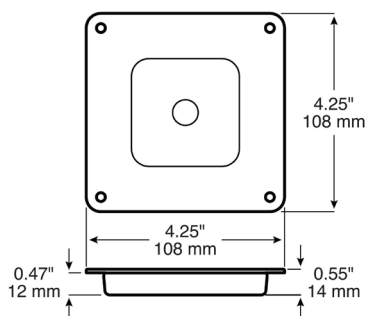
PM-5600-1



## Dimensions



PM-5600



PM-5600-1



## Specifications

**Functions:** Timer box switch

**Voltage:** Dual voltage 12/24V - 10A maximum load

**Operating range:** 9-32Vdc

**Fuse:** Must be used in conjunction with a 10amp fuse for circuit protection

**IP rating:** IP68, suitable for installation inside or outside vehicle

**Mounting:** Mounts with 4 screws  
PM-5600: surface mount  
PM-5600-1: recessed mount

**Leads:** 200mm input & output cables terminated with 0.180 bullet connectors and receptacles

**Warranty:** 3 years

**Features:** The 5600 timer box unit provides flexible switching of LED lighting via a sealed membrane button.

A single push energises the lighting circuit for 30 minutes; the power-on time can be extended in 30 minute increments up to 2 hours duration by further button pushes.

Lights flash briefly with each button push to indicate that command is received.

Lights can turned off at any time by pressing and holding the button.

The system provides a 2-minute warning of approaching turn-off by dimming the lights momentarily.

Suitable for use on box-bodied trucks, box vans and reefers. This is a compact and easily-installed product available in surface- and recessed-mount variations, and is designed to handle temperature variations and high humidity levels.

## Part numbers

PM-5600	Timer box switch, surface mount
PM-5600-1	Timer box switch, recessed mount