

# DATA SHEET

PM-716C

60mm Combined DRL / Direction Indicator / Position Light



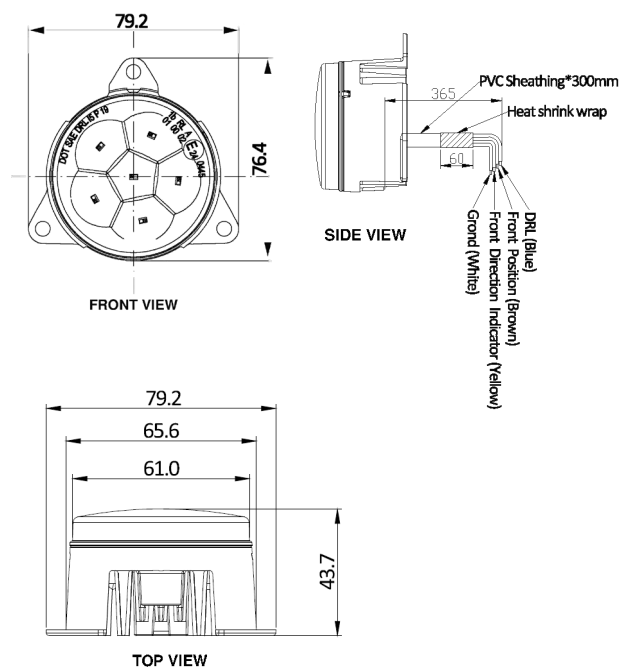
## Images



## Specifications

<b>Functions:</b>	60mm combined daytime running light / direction indicator / position light DOT & ECE compliant
<b>LEDs:</b>	6 x 2-CHIP LEDs
<b>Output:</b>	DRL: 780 lumens DI: 480 lumens Pos: 78 lumens
<b>Certifications:</b>	ECE Reg 10 ECE Reg 6: E24 6R01/29 0445 00 (ind) ECE Reg 7: E24 7R02/27 0445 00 (pos) ECE Reg 87: E24 87R00/20 0445 00 (DRL)
<b>Dimensions:</b>	Ø 61 x 44mm
<b>Voltage:</b>	Dual voltage 12/24V
<b>Vibration resistance:</b>	2G
<b>IP rating:</b>	IP67
<b>Operating temperature:</b>	-30°C to +50°C
<b>Mounting:</b>	3-point surface mount fixings
<b>Wiring:</b>	300mm cable terminated in partially-stripped wires Blue: DRL Brown: position Yellow: direction indicator White: ground
<b>Power rating:</b>	DRL: 0.37A / 4.9W @ 13.2V DI: 0.36A / 4.8W @ 13.2V Pos: 0.05A / 0.7W @ 13.2V
<b>Current draw:</b>	DRL: 0.482A / 0.504A @ 13.5V / 0.251A / 0.260A @ 28V DI: 0.686A / 0.674A @ 13.5V / 0.339A / 0.343A @ 28V Pos: 0.063A / 0.065A @ 13.5V / 0.039A / 0.040A @ 28V
<b>Reverse polarity protection:</b>	Yes
<b>Warranty:</b>	3 years

## Dimensions



## Part number

PM-716C	60mm combined daytime running light, indicator and position light
---------	---

## Materials

<b>Lens:</b>	Polycarbonate, hard coated with integrated optics
<b>Housing:</b>	Die cast aluminium, black E-coat finish