

DATA SHEET

PM-850F

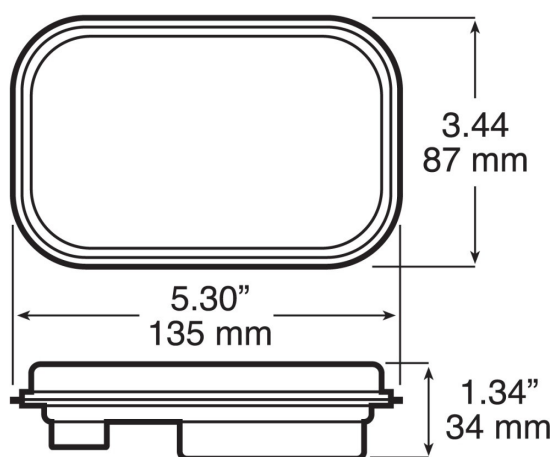
LED rear fog light module



Images



Dimensions



Specifications

Functions:	LED rear fog light module
LEDs:	20 diodes, red
Lens colour:	Red
Certifications:	ECE Reg 38: F E9 00.1507 ECE certified when mounted horizontally or vertically
Dimensions:	135mm x 87mm x 34mm
Voltage:	Multi-voltage, 9-32Vdc
IP rating:	IP67
Operating temperature:	-30°C to +50°C
Mounting:	Surface mounts using PM-B850 bracket or flush mounts using PM-B850-18 grommet
Wiring:	300mm cable terminated in partially-stripped wires White = ground Blue = positive
Power rating:	4.5W @ 12V / 4.9W @ 24V
Average current draw:	0.35A @ 12V / 0.204A @ 24V
Reverse polarity protection:	Yes
Warranty:	3 years

Part number

PM-850F-SW	LED rear fog light module
------------	---------------------------

Materials

Lens:	PMMA-HI
Base:	ABS